

The Console GUI is designed to show the protocol information quickly and easily.

Vision friendly colors and sizes chosen as another safety feature of this new injector.



Setup screen to support quick and accurate input.



The GUI includes all necessary data on one screen image.



Injection Results screen shows injected volume in chronological order.



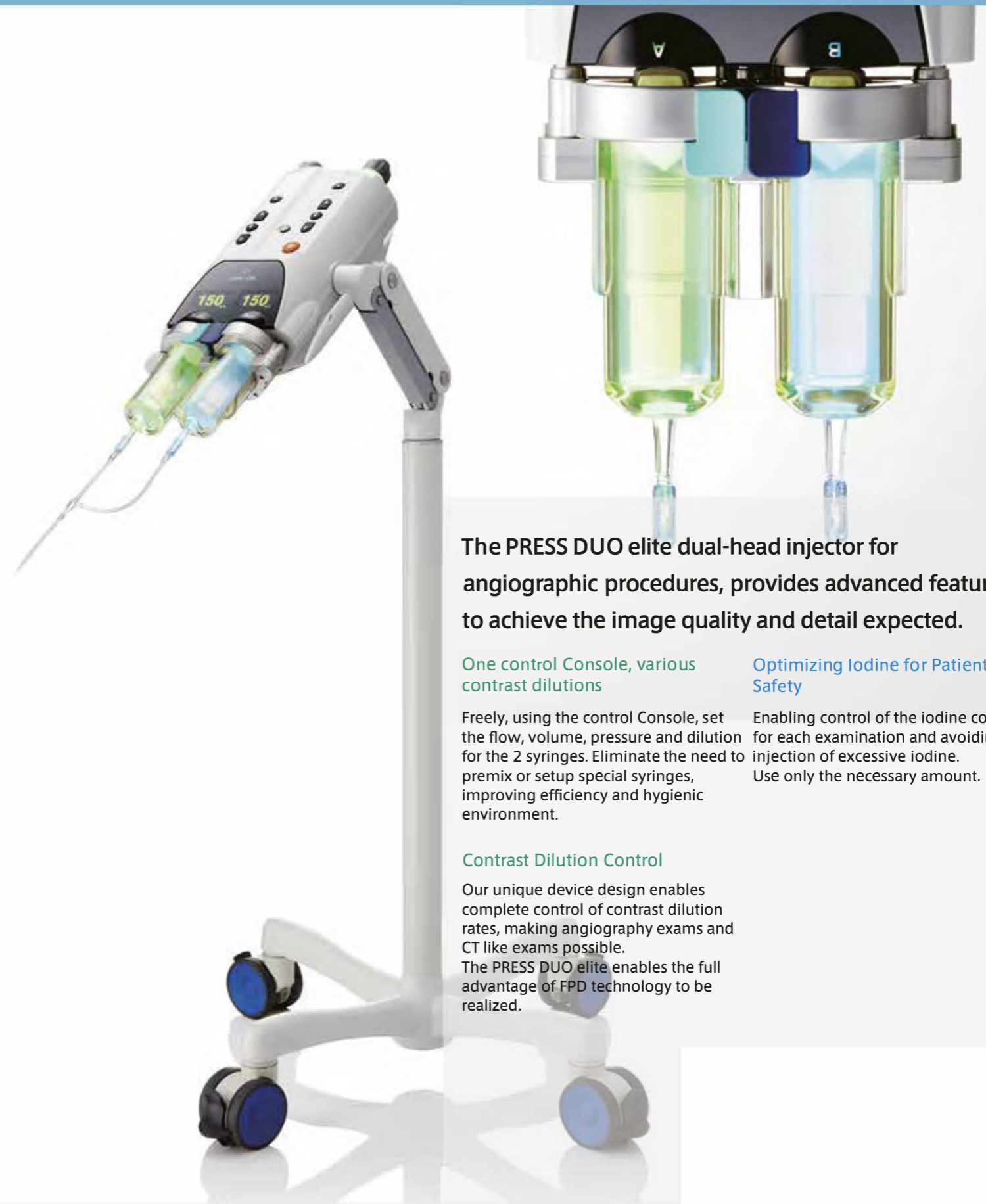
Console with touchscreen operation. Color changes based on mode of operation.



Dual Functionality Manual Knobs



Organic EL display shows syringe remaining volume.



The PRESS DUO elite dual-head injector for angiographic procedures, provides advanced features to achieve the image quality and detail expected.

One control Console, various contrast dilutions

Freely, using the control Console, set the flow, volume, pressure and dilution for the 2 syringes. Eliminate the need to pre-mix or setup special syringes, improving efficiency and hygienic environment.

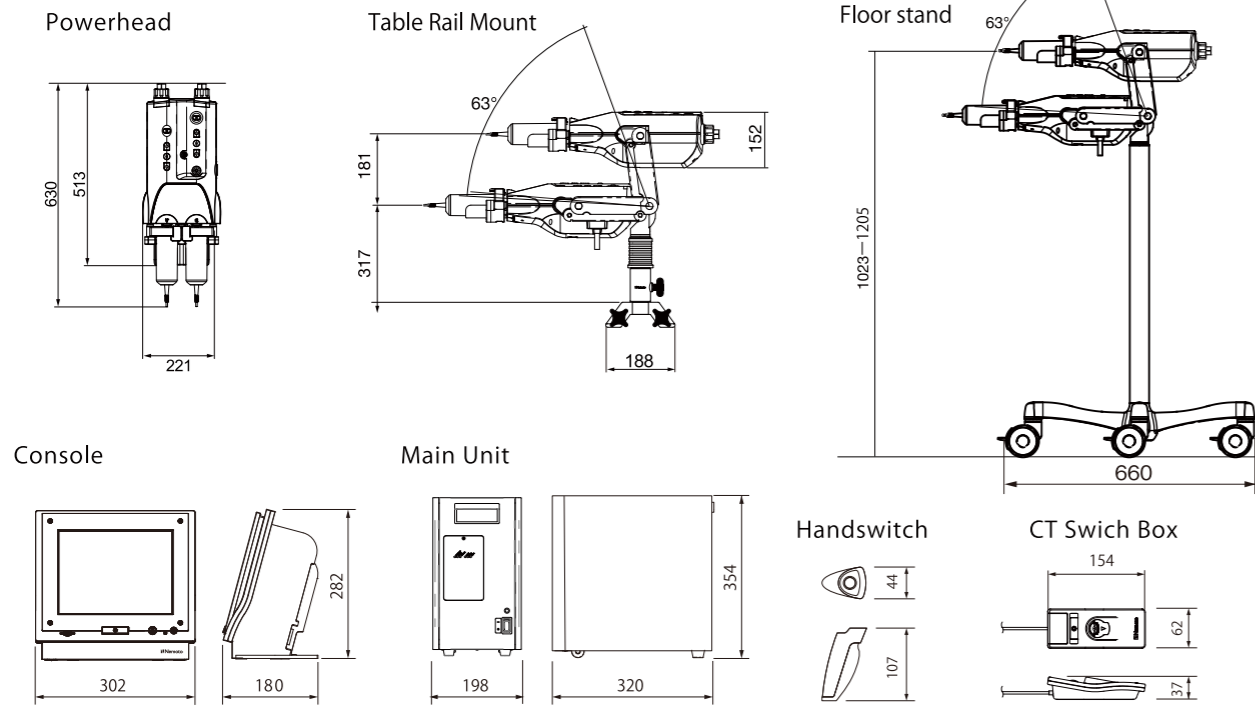
Optimizing Iodine for Patient Safety

Enabling control of the iodine content for each examination and avoiding the injection of excessive iodine. Use only the necessary amount.

Contrast Dilution Control

Our unique device design enables complete control of contrast dilution rates, making angiography exams and CT like exams possible.

The PRESS DUO elite enables the full advantage of FPD technology to be realized.



Press Duo elite

Angiographic Contrast Delivery System

Standard Specifications \* A: Contrast agent B: Saline

• Flow Rate	0.1~30.0mL/sec (0.1mL/sec step)
• Volume	0.1~99.9mL (Setting Unit: 0.1mL)
• Pressure Limit	50~1200psi (400~8200kpa)
• Inject Delay	0~99.9 sec
• X-Ray Delay	0~99.9 sec
• Rise Time	0~9.9 sec
• Protocol Memory	240 protocol
• Integrated Volume display	Yes,
• Injection Results Display	Yes, (Cases 50)
• Syringe Heater	Yes, 36°C ± 5°C

Angio(A+B) Mode Programming Range

• Injection Pattern	A, A+B, A+B→A+B, A+B→A, A→A+B, B
• Flow Rate	A-side: 0.1~30.0mL/sec (0.1mL/sec step) B-side: 0.1~10.0mL/sec (0.1mL/sec step)
• Volume	0.2~99.9mL (Setting Unit: 0.1mL)
• Dilution Rate	Dilution percentage: 10-90 Dilution ratio: 1:9-9:1

CT Mode Programming Range

• Injection Pattern	A, A→B, A+B→A
• Flow Rate	0.2~10.0mL/sec (0.1mL/sec step)
• Volume	0.2~150.0mL (Setting Unit: 0.1mL)
• Pressure Limit	50~300psi (400~2000kpa)

Perfusion protocol Programming Range

• Injection Pattern	A→B, A+B→A
• Flow Rate	0.1~15mL/s
• Volume	1~150mL
• Pressure Limit	50-300psi (400~2000 kpa)

Electrical Specifications

• Voltage	AC115 / 230V	• Protection Class	Class I
• Power Consumption	1050VA	• Protected Level	Type CF
• Frequency	50/60Hz	• Activation	Electromechanical drive

Safety Mechanisms

• Flow Rate Monitoring	• Syringe Placement Monitoring
• Overvolume Monitoring	• Injection Process Monitoring
• Over Pressure Monitoring	• Emergency Stop Buttons

Standard Injection Functions

• Dilution Injections (simultaneous injections)
• Quick Purge (auto air vent)
• Quick Return
• X-Ray System Synchronization
• Injection Results Display
• Angio Mode • Microcatheter protocol A, A+B

Option

• CT-Mode, Perfusion protocol
-------------------------------

Syringe

• NEMOTO Disposable syringe 150mL
-----------------------------------

Weight

• Powerhead : 11.1kg	• Console : 5.7kg	• Main Unit : 16.0kg
----------------------	-------------------	----------------------

Distributed by: **MEDIBAY**  
WWW.MEDIBAY.FI

\* Specifications and appearance of this product may change without notice.



# PRESS DUO elite

Dual-head Contrast Delivery System

for Angiographic + CT Imaging

